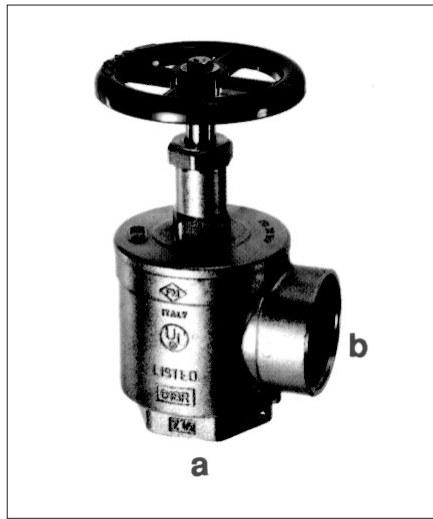




Hose Valves



A55

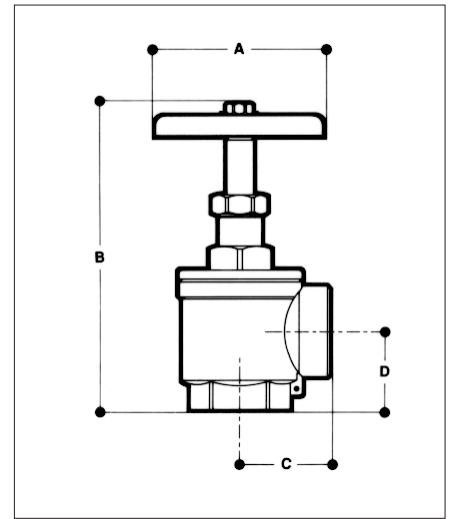
**ANGLE HOSE VALVE
300 lb. RATED**

Use with a Fire Hose Rack Assembly, or as a Fire Dept. outlet connection.

DOUBLE FEMALE

Standard equipment :
Female NPT inlet and outlet cast brass valve. Red hand wheel.

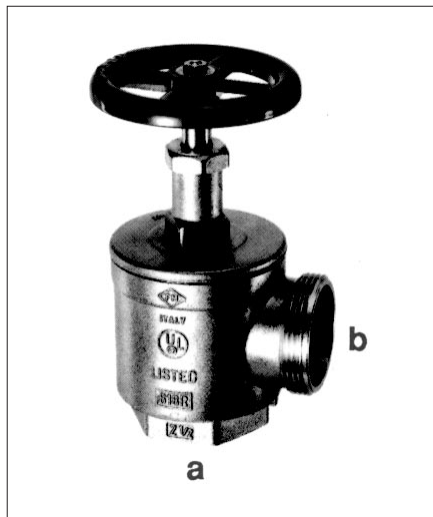
Optional Finishes :
PB - Polished Brass
RC - Rough Chrome Plated
PC - Polished Chrome Plated



a	b
1 1/2"	1 1/2"
2 1/2"	2 1/2"

SPECIFY THREAD

	1 1/2" x 1 1/2"	2 1/2" x 2 1/2"
A	3 15/16"	5 1/8"
B	7 11/16"	10 7/16"
C	2 3/16"	3 5/32"
D	1 7/8"	2 19/64"



A56

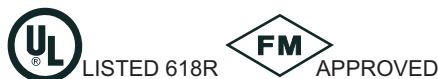
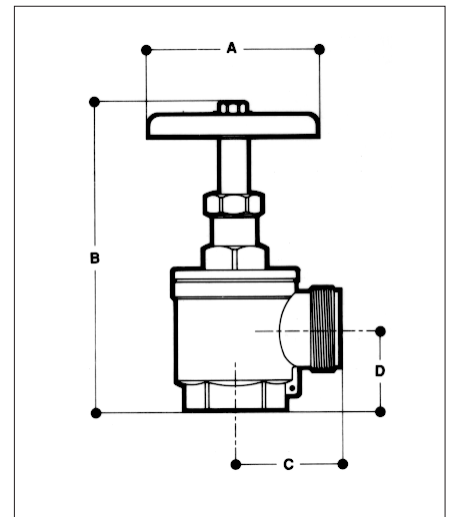
**ANGLE HOSE VALVE
300 lb. RATED**

Use with a Fire Hose Rack Assembly, or as a Fire Dept. outlet connection.

FEMALE x MALE

Standard equipment :
Female NPT inlet x male hose thread outlet cast brass valve. Red hand wheel.

Optional Finishes :
PB - Polished Brass
RC - Rough Chrome Plated
PC - Polished Chrome Plated



a	b
1 1/2"	1 1/2"
2 1/2"	2 1/2"

SPECIFY THREAD

	1 1/2" x 1 1/2"	2 1/2" x 2 1/2"
A	3 15/16"	5 1/8"
B	7 11/16"	10 7/16"
C	2 3/16"	3 5/32"
D	1 7/8"	2 19/64"