

Working Pressure & Temperature

Max Working Pressure: 300PSI / 21 Bar
 Working Temperature: -10°C to 120°C (14°F to 248°F)
 Fusion bonded epoxy coated interior and exterior RAL3002

Flanged Ends: ANSI B16.1 Class 150 - Raised
 EN1092-2 PN10/PN16 (PN10 up to 6") - Flat

Valve Standard: Conforms to AWWA C515 / BS516

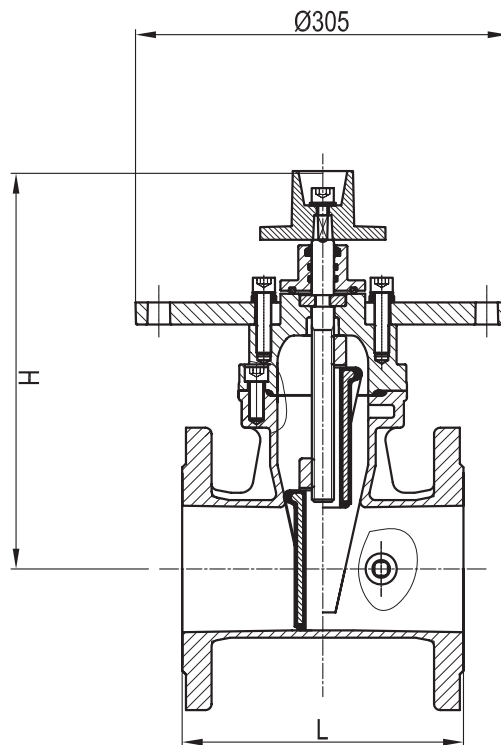


Material List

Component	Material
Body	Ductile Iron ASTM A536 65-45-12
Wedge	Ductile Iron ASTM A536 65-45-12 + EPDM
Disc Nut	Bronze ASTM B62
Stem	Stainless Steel AISI 304/420
Bonnet	Ductile Iron ASTM A536 65-45-12
Gasket	EPDM
Thrust Collar	Bronze ASTM B62
Gland	Ductile Iron ASTM A536 65-45-12
Wrench Nut	Ductile Iron ASTM A536 65-45-12
Post Plate	Ductile Iron ASTM A536 65-45-12

Dimensions Inch (mm) and Weight lbs (kg)

DN	L	H	D	Weight
2 (50)	7.00 (178)	10.98 (279)	12.01 (305)	52.91 (24)
2 ½ (65)	7.50 (191)	10.98 (279)	12.01 (305)	55.78 (25.3)
3 (80)	8.00 (203)	11.99 (304.50)	12.01 (305)	60.63 (27.5)
4 (100)	9.00 (229)	12.01 (305)	12.01 (305)	77.16 (35)
5 (125)	10.00 (254)	15.49 (393.50)	12.01 (305)	92.59 (42)
6 (150)	10.50 (267)	16.85 (428)	12.01 (305)	110.23 (50)
8 (200)	11.50 (292)	21.14 (537)	12.01 (305)	182.98 (83)
10 (250)	13.00 (330)	25.2 (640)	12.01 (305)	272.27 (123.5)
12 (300)	14.00 (356)	28.46 (723)	12.01 (305)	386.91 (175.5)



* Note: 2" is only FM approved.
 Design and materials subject to change without notice.

Ordering Information

Description	Size (mm)	Part Number
RASCO, FXF, 300PSI, PIV, L388F (PN10/PN16)	50 (2")	7U99002346
RASCO, FXF, 300PSI, PIV, L388F (PN10/PN16)	65 (2 ½")	7U99002347
RASCO, FXF, 300PSI, PIV, L388F (PN10/PN16)	80 (3")	7U99002348
RASCO, FXF, 300PSI, PIV, L388F (PN10/PN16)	100 (4")	7U99002349
RASCO, FXF, 300PSI, PIV, L388F (PN10/PN16)	125 (5")	7U99002350
RASCO, FXF, 300PSI, PIV, L388F (PN10/PN16)	150 (6")	7U99002351
RASCO, FXF, 300PSI, PIV, L388F (PN16)	200 (8")	7U99002352
RASCO, FXF, 300PSI, PIV, L388F (PN16)	250 (10")	7U99002353
RASCO, FXF, 300PSI, PIV, L388F (PN16)	300 (12")	7U99002354

Description	Size (mm)	Part Number
RASCO, FXF, 300PSI, PIV, L388F (ANSI)	50 (2")	7U99002355
RASCO, FXF, 300PSI, PIV, L388F (ANSI)	65 (2 ½")	7U99002356
RASCO, FXF, 300PSI, PIV, L388F (ANSI)	80 (3")	7U99002357
RASCO, FXF, 300PSI, PIV, L388F (ANSI)	100 (4")	7U99002358
RASCO, FXF, 300PSI, PIV, L388F (ANSI)	150 (6")	7U99002359
RASCO, FXF, 300PSI, PIV, L388F (ANSI)	200 (8")	7U99002360
RASCO, FXF, 300PSI, PIV, L388F (ANSI)	250 (10")	7U99002361
RASCO, FXF, 300PSI, PIV, L388F (ANSI)	300 (12")	7U99002362